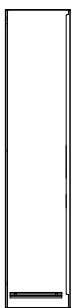
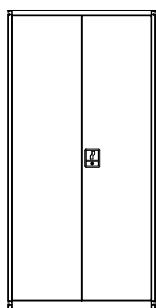


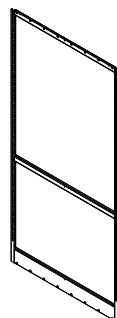
Left Side:1Pc



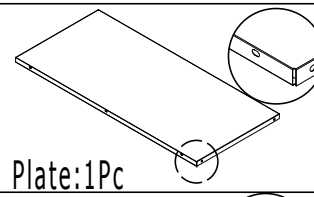
Right Side:1Pc



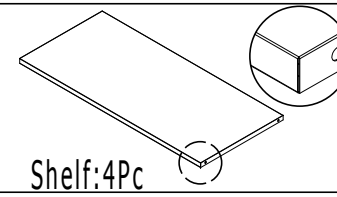
Door Frame:1Pc



Back Plate:1Pc

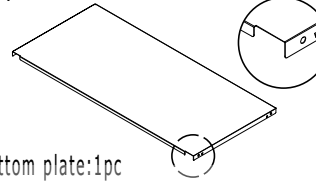


Top Plate:1Pc

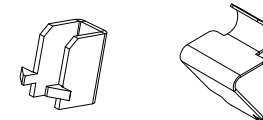


Shelf:4Pc

Self-tapping  
Screw(5x12):15Pcs



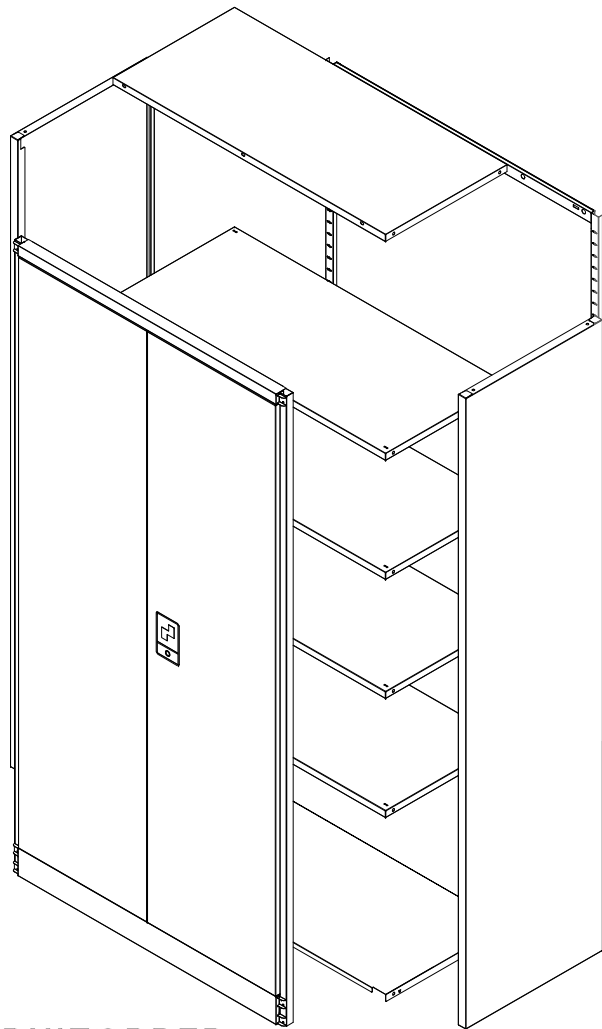
Bottom plate:1pc



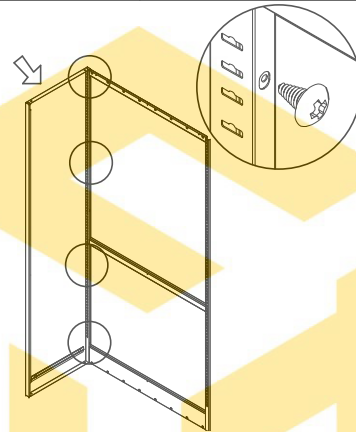
Shelf Holder:16pcs



Key:1 Set

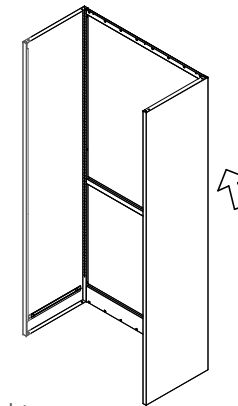


①



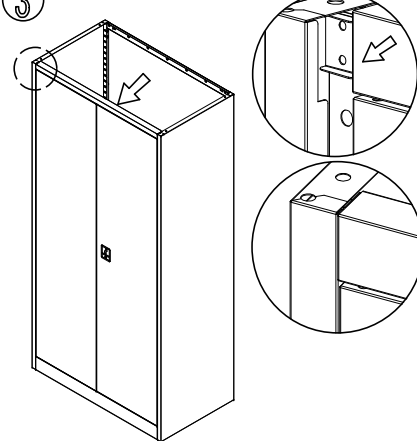
Bolt the left side and back plate with self-tapping screws(5x12)

②



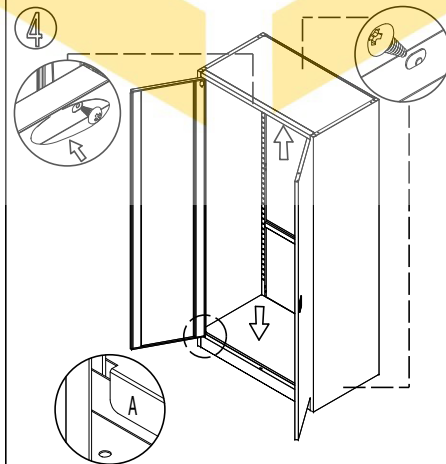
Bolt the right plate and back plate in the same way as the first step

③



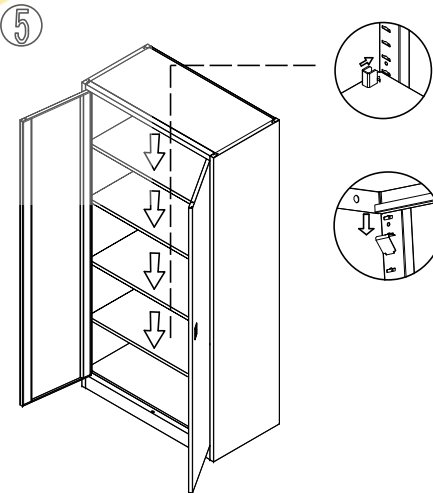
Fix the door frame onto both of the side plates

④



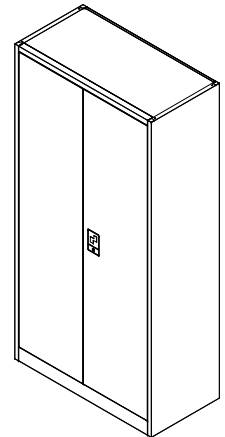
Install the top and bottom plate respectively

⑤



Install the shelves.

⑥



Adjust each parts till fit well after installation